

Built better, priced better!



SILENCER ACCESSORIES

FROM THE MANUFACTURER

Your One-Stop Solution for all generator silencer accessories needs!

As an industry leader, Nett Technologies provides cost-effective, reliable, and mission-critical emission and acoustical solutions for stationary natural gas and diesel reciprocating engines. We design and fabricate the catalyst, silencers, and piping components in house and strive to optimize each system solution to achieve the best performance and optimum value for the customer. As a single-source supplier, Nett Technologies can take responsibility for the total system backpressure, acoustic performance, emission performance, and layout for the available solution footprint. We manufacture a wide range of Silencer Accessories such as Hardware, Y-Connectors, Flexes, Rain Caps, Thimbles, Mounting Bands, and many more!

Nett Technologies' Generator Silencers Accessories features and benefits:

- ✓ Wide range of silencers and silencer accessories, we are your one-stop-shop solution for all silencer needs.
- ✓ Customized engineered systems solutions to meet challenging integration and engine requirements.
- ✓ Responsive lead time for both standard and custom designs to meet your needs.
- ✓ Versatile connections including ANSI pattern flanges, NPT, slip-on, engine flange, schedule 40 and others.
- ✓ Aluminized Steel, Carbon Steel, Stainless Steel 304 or 316 construction.

Nett Technologies Inc. is a single-supplier of all exhaust related accessories ranging from engine connecting flange to rain-cap. To learn more about our products or for a quote request, contact your representative today!



Table of Contents

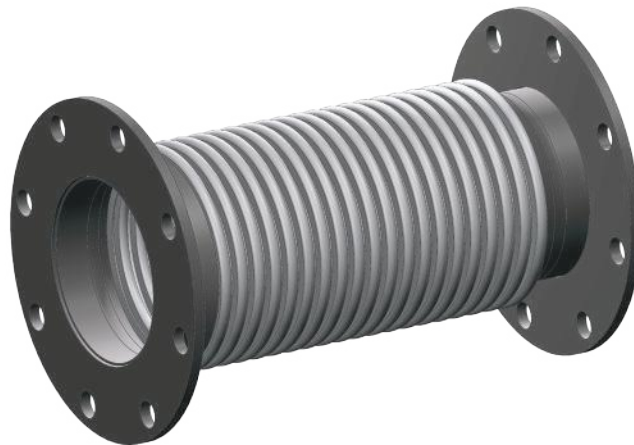
Silencer Accessories		
Model	Description	Page
-	Single-Ply Flexes	1-3
-	Single-Ply Flex Specifications	1
FX-FLFF	Single-Ply Flex (Flange to Flange)	2
FX-FLTU	Single-Ply Flex (Flange to Tube)	2
FX-FLSO	Single-Ply Flex (Flange to Slip-On)	2
FX-FLMN	Single-Ply Flex (Flange to Male NPT)	2
FX-FLPP	Single-Ply Flex (Flange to Pipe)	2
FX-FLFN	Single-Ply Flex (Flange to Female NPT)	2
FX-PPPP	Single-Ply Flex (Pipe to Pipe)	2
FX-TUTU	Single-Ply Flex (Tube to Tube)	2
FX-FNSO	Single-Ply Flex (Female NPT to Slip-On)	3
FX-SOSO	Single-Ply Flex (Slip-On to Slip-On)	3
FX-SOTU	Single-Ply Flex (Slip-On to Tubing)	3
FX-MNSO	Single-Ply Flex (Male NPT to Slip-On)	3
FX-MNFN	Single-Ply Flex (Male NPT to Female NPT)	3
FX-MNTU	Single-Ply Flex (Male NPT to OD Tubing)	3
FX-FNTU	Single-Ply Flex (Female NPT to OD Tubing)	3
FX-MNMMN	Single-Ply Flex (Male NPT to Male NPT)	3
-	Double-Ply Bellows (Expansion Joints)	4
BE-FLFF	1.5" Axial Travel Bellows	4
BL-FLFF	3" Axial Travel Bellows	4
-	Smooth and Mitered Elbows	5-6
EL-TUTU	90° Short Radius (Tube to Tube)	5
EL-FLTU	90° Short Radius (Flange to Tube)	5
EL-FLFF	90° Short Radius (Flange to Flange)	5
EB-TUTU	45° Short Radius (Tube to Tube)	6
EB-FLTU	45° Short Radius (Flange to Tube)	6
EB-FLFF	45° Short Radius (Flange to Flange)	6

Silencer Accessories		
Model	Description	Page
-	Cones and Outlet Extensions	7-8
ES-FLFF	Exhaust Stack (Tube Flanged Both Ends)	7
ES-FLTU	Exhaust Stack (Tube Flanged One End)	7
EC-FLFF	Exhaust Cones (Flanged Both Ends)	8
ES-FLBS	Exhaust Stack (Tube 45° w/ Bird Screen)	8
-	Thimbles	9-10
TH-MSCB	Combustible Wall Thimbles	9
TH-MSNC	Non-Combustible Wall Thimbles	10
-	Wye Connectors	11
-	Rain Caps	12-13
RC-SD	Standard Carbon Steel Rain Caps	12
RC-HD	Heavy Duty Carbon Steel Rain Caps	12
RC-SS	Standard 304 Stainless Steel Rain Caps	13
RC-HS	Heavy Duty 304 Stainless Steel Rain Caps	13
-	Mounting Bands (Brackets)	14
MB-OP	Mounting Bands (One-Piece Construction)	14
MB-TP	Mounting Bands (Two-Piece Construction)	14
-	ANSI 150# Pattern Flanges	15
FL-PP	ANSI 150# Pattern Flanges for Pipes	15
FL-TU	ANSI 150# Pattern Flanges for Tubes	15
KT-GB	Hardware Kits (Nut, Bolt, Washer & Gasket Kits)	16
GS-GR	Graphite Gaskets	17

We offer many other accessories including custom designs. If you don't see the required silencer accessory, please contact Nett Technologies for more details.

Flex Connectors

Corrugated Single-Ply Flex - Technical Specification



Nominal Hose ID	Nominal Hose OD	Max Lateral Offset	Max Axial Movement	Max Operating Temperature
(in)	(in)	(ft)	(ft)	(°F)
2	2.75	0.96	0.14	1500
2.5	3.17	0.82	0.22	1500
3	3.75	0.74	0.22	1500
4	4.82	0.60	0.22	1500
5	5.87	0.47	0.22	1500
6	6.94	0.42	0.22	1500
8	9	0.30	0.22	1500
10	11	0.20	0.22	1500
12	13	0.17	0.22	1500

- Flex is made of single-ply stainless steel annular hose. End connections are carbon steel (available in stainless steel).
- Maximum working pressure @ 1200°F is 5 PSIG. All tabulated movements are non-concurrent. Axial movements vary depending upon overall length.
- Single-ply flexes are not recommended by the manufacturer for applications requiring axial and lateral offset movement. Please refer to the Expansion Joint specification sheet.
- Dimensions and specifications may be subject to change without prior notification.
- Product images are for illustrative purposes only and may differ from the actual product.
- All flange bolt holes straddle the centerlines. All ANSI Flanges are 150# bolt pattern. Please see our flange catalog for details. All ANSI Flanges may be replaced with standard Caterpillar, Cummins, or MTU engine flanges.
- Any flange can be fixed or floating. Other configurations such as tube, pipe, NPT, etc. and their combinations are available upon request. Please contact Nett Technologies for details.

Flex Connectors

Corrugated Single-Ply Flex



FLFF



FLTU



FLSO



FLMN

ANSI to ANSI		ANSI to OD Tubing		ANSI to Slip-on		ANSI to Male NPT	
Part Number	Size (in)	Part Number	Size (in)	Part Number	Size (inches)	Part Number	Size (in)
FX-FLFF-02000	2	FX-FLTU-02000	2	FX-FLSO-02000	2	FX-FLMN-02000	2
FX-FLFF-02500	2.5	FX-FLTU-02500	2.5	FX-FLSO-02500	2.5	FX-FLMN-02500	2.5
FX-FLFF-03000	3	FX-FLTU-03000	3	FX-FLSO-03000	3	FX-FLMN-03000	3
FX-FLFF-03500	3.5	FX-FLTU-03500	3.5	FX-FLSO-03500	3.5	FX-FLMN-03500	3.5
FX-FLFF-04000	4	FX-FLTU-04000	4	FX-FLSO-04000	4	FX-FLMN-04000	4
FX-FLFF-05000	5	FX-FLTU-05000	5	FX-FLSO-05000	5	FX-FLMN-05000	5
FX-FLFF-06000	6	FX-FLTU-06000	6	FX-FLSO-06000	6	FX-FLMN-06000	6
FX-FLFF-08000	8						
FX-FLFF-10000	10						
FX-FLFF-12000	12						
FX-FLFF-14000	14						



FLPP



FLFN



PPPP



TUTU

ANSI to Plain Pipe		ANSI to Female NPT		Plain Pipe to Plain Pipe		OD Tube to OD Tube	
Part Number	Size (in)	Part Number	Size (in)	Part Number	Size (in)	Part Number	Size (in)
FX-FLPP-02000	2	FX-FLFN-02000	2	FX-PPPP-02000	2	FX-TUTU-02000	2
FX-FLPP-02500	2.5	FX-FLFN-02500	2.5	FX-PPPP-02500	2.5	FX-TUTU-02500	3
FX-FLPP-03000	3	FX-FLFN-03000	3	FX-PPPP-03000	3	FX-TUTU-03000	3
FX-FLPP-03500	3.5	FX-FLFN-03500	3.5	FX-PPPP-03500	3.5	FX-TUTU-03500	3.5
FX-FLPP-04000	4	FX-FLFN-04000	4	FX-PPPP-04000	4	FX-TUTU-04000	4
FX-FLPP-05000	5	FX-FLFN-05000	5	FX-PPPP-05000	5	FX-TUTU-05000	5
FX-FLPP-06000	6	FX-FLFN-06000	6	FX-PPPP-06000	6	FX-TUTU-06000	6
FX-FLPP-08000	8			FX-PPPP-08000	8		
FX-FLPP-10000	10			FX-PPPP-10000	10		

- Standard overall length: 18". Other lengths are available upon request.
- Flex is made of single-ply stainless steel annular hose. End connections are carbon steel (available in stainless steel).
- Dimensions and specifications may be subject to change without prior notification. Product images are for illustrative purposes only and may differ from the actual product.
- All ANSI Flanges are 150# bolt pattern. Please see our flange catalog for details. ANSI floating flanges, custom connections, and custom lengths to suit your application are available upon request. Please contact Nett Technologies for details.

Flex Connectors

Corrugated Single-Ply Flex



FNSO



SOSO



SOTU



MNSO

Female NPT to Slip-On		Slip-On to Slip-On		Slip-on to Tubing		Male NPT to Slip-on	
Part Number	Size (in)	Part Number	Size (in)	Part Number	Size (in)	Part Number	Size (in)
FX-FNSO-02000	2	FX-SOSO-02000	2	FX-SOTU-02000	2	FX-MNSO-02000	2
FX-FNSO-02500	2.5	FX-SOSO-02500	2.5	FX-SOTU-02500	2.5	FX-MNSO-02500	2.5
FX-FNSO-03000	3	FX-SOSO-03000	3	FX-SOTU-03000	3	FX-MNSO-03000	3
FX-FNSO-03500	3.5	FX-SOSO-03500	3.5	FX-SOTU-03500	3.5	FX-MNSO-03500	3.5
FX-FNSO-04000	4	FX-SOSO-04000	4	FX-SOTU-04000	4	FX-MNSO-04000	4
FX-FNSO-05000	5	FX-SOSO-05000	5	FX-SOTU-05000	5	FX-MNSO-05000	5
FX-FNSO-06000	6	FX-SOSO-06000	6	FX-SOTU-06000	6	FX-MNSO-06000	6



MNFN



MNTU



FNTU



MNMN

Male NPT to Female NPT		Male NPT to OD Tubing		Female NPT to OD Tubing		Male NPT to Male NPT	
Part Number	Size (in)	Part Number	Size (in)	Part Number	Size (in)	Part Number	Size (in)
FX-MNFN-02000	2	FX-MNTU-02000	2	FX-FNTU-02000	2	FX-MNMN-02000	2
FX-MNFN-02500	2.5	FX-MNTU-02500	2.5	FX-FNTU-02500	2.5	FX-MNMN-02500	2.5
FX-MNFN-03000	3	FX-MNTU-03000	3	FX-FNTU-03000	3	FX-MNMN-03000	3
FX-MNFN-03500	3.5	FX-MNTU-03500	3.5	FX-FNTU-03500	3.5	FX-MNMN-03500	3.5
FX-MNFN-04000	4	FX-MNTU-04000	4	FX-FNTU-04000	4	FX-MNMN-04000	4
FX-MNFN-05000	5	FX-MNTU-05000	5	FX-FNTU-05000	5	FX-MNMN-05000	5
FX-MNFN-06000	6	FX-MNTU-06000	6	FX-FNTU-06000	6	FX-MNMN-06000	6

- Standard overall length: 18". Other lengths are available upon request.
- Flex is made of single-ply stainless steel annular hose. End connections are carbon steel (available in stainless steel).
- Dimensions and specifications may be subject to change without prior notification. Product images are for illustrative purposes only and may differ from the actual product.
- All ANSI Flanges are 150# bolt pattern. Please see our flange catalog for details. ANSI floating flanges, custom connections, and custom lengths to suit your application are available upon request. Please contact Nett Technologies for details.

Double-Ply Bellows

Stainless Steel T321 Bellows/Expansion Joints

1.5" Axial Travel Bellows - BE-FLFF									
Part Number	Nominal Size	I.D. (in)	O.D. (in)	No. of Corrugations	Live Length (in)	OAL Length	Lateral Motion (in)	Axial Spring Rate (Lbs/in)	Lateral Spring Rate (Lbs/in)
BE-FLFF-03000	3	3.5	4.24	22	6	9	0.875	170	110
BE-FLFF-04000	4	4.5	5.5	22	6	9	0.875	215	220
BE-FLFF-05000	5	5.56	7	13	6	9	0.75	108	177
BE-FLFF-06000	6	6.63	8.08	13	6	9	0.625	125	281
BE-FLFF-08000	8	8.63	10.08	13	6	9	0.5	157	577
BE-FLFF-10000	10	10.75	12.73	10	6	9	0.5	80	415
BE-FLFF-12000	12	12.75	14.73	10	6	9	0.438	93	659
BE-FLFF-14000	14	14	16.38	8	6	9	0.375	127	1194
BE-FLFF-16000	16	16	18.38	8	6	9	0.312	143	1728
BE-FLFF-18000	18	18	20.38	8	6	9	0.3	157	2362

3" Axial Travel Bellows - BL-FLFF									
Part Number	Nominal Size	I.D. (in)	O.D. (in)	No. of Corrugations	Live Length (in)	OAL Length	Lateral Motion (in)	Axial Spring Rate (Lbs/in)	Lateral Spring Rate (Lbs/in)
BL-FLFF-03000	3	3.5	4.24	33	9	12	1.25	113	32
BL-FLFF-04000	4	4.5	5.5	33	9	12	1.25	143	65
BL-FLFF-05000	5	5.56	7	20	9	12	1.125	70	48
BL-FLFF-06000	6	6.63	8.08	20	9	12	1	81	77
BL-FLFF-08000	8	8.63	10.08	20	9	12	1	102	158
BL-FLFF-10000	10	10.75	12.73	14	9	12	1	57	151
BL-FLFF-12000	12	12.75	14.73	14	9	12	0.875	66	240
BL-FLFF-14000	14	14	16.38	12	9	12	0.75	84	354
BL-FLFF-16000	16	16	18.38	12	9	12	0.75	95	512
BL-FLFF-18000	18	18	20.38	12	9	12	0.625	105	700

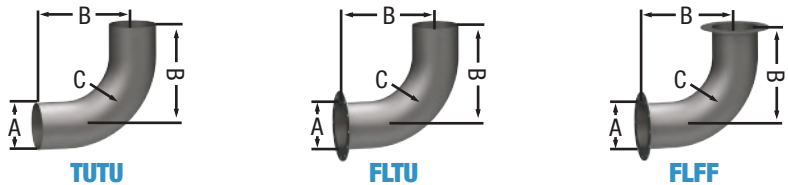
- All bellows are constructed from T321 stainless steel. End connections are carbon steel (available in stainless steel).
- Bellows flow liners are recommended for exhaust 6" and below when gas/streamflow conditions are greater than or equal to 4 feet / second / inch of diameter. Also for exhaust 8" and above when gas/streamflow conditions are greater than or equal to 25 feet / second.
- Maximum working pressure @ 1200°F is 5 PSIG. All tabulated movements are non-concurrent. Numbers vary depending upon overall length.
- All bellows designs are per Expansion Joint Manufacturers Association 9th Edition.
- Dimensions and specifications may be subject to change without prior notification. Product images are for illustrative purposes only and may differ from the actual product.
- All flange bolt holes straddle the centerlines. All ANSI Flanges are 150# bolt pattern. Please see our flange catalog for details. All ANSI Flanges may be replaced with standard Caterpillar, Cummins, or MTU engine flanges.
- Any flange can be fixed or floating. Other configurations such as tube, pipe, NPT, etc. and their combinations are available upon request. Please contact Nett Technologies for details.



90° Elbows

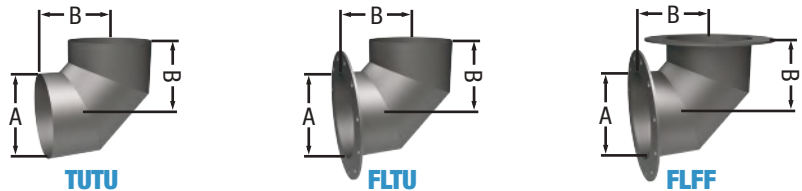
Smooth and Mitered elbows

90° SHORT RADIUS ELBOWS - SMOOTH



A/OD (in)	B (in)	C/CLR (in)	Not Flanged		Flanged One End		Flanged Both Ends	
			Part Number	Weight (lbs)	Part Number	Weight (lbs)	Part Number	Weight (lbs)
3	6	3.5	EL-TUTU-03000	2	EL-FLTU-03000	7	EL-FLFF-03000	12
3.5	8	4	EL-TUTU-03500	3	EL-FLTU-03500	8	EL-FLFF-03500	13
4	8	4.5	EL-TUTU-04000	4	EL-FLTU-04000	10	EL-FLFF-04000	16
5	10	5.5	EL-TUTU-05000	5	EL-FLTU-05000	13	EL-FLFF-05000	20
6	10	6.5	EL-TUTU-06000	6	EL-FLTU-06000	15	EL-FLFF-06000	23

90° SHORT RADIUS ELBOWS - MITERED



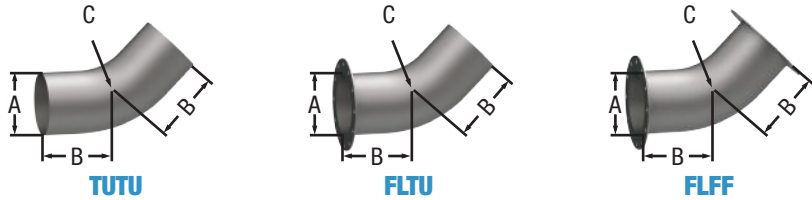
A/OD (in)	B (in)	Not Flanged		Flanged One End		Flanged Both Ends	
		Part Number	Weight (lbs)	Part Number	Weight (lbs)	Part Number	Weight (lbs)
8	8	EL-TUTU-08000	8	EL-FLTU-08000	20	EL-FLFF-08000	32
10	10	EL-TUTU-10000	12	EL-FLTU-10000	28	EL-FLFF-10000	44
12	12	EL-TUTU-12000	28	EL-FLTU-12000	50	EL-FLFF-12000	73
14	14	EL-TUTU-14000	71	EL-FLTU-14000	95	EL-FLFF-14000	120
16	16	EL-TUTU-16000	93	EL-FLTU-16000	122	EL-FLFF-16000	151
18	18	EL-TUTU-18000	117	EL-FLTU-18000	146	EL-FLFF-18000	175
20	20	EL-TUTU-20000	145	EL-FLTU-20000	179	EL-FLFF-20000	213
22	22	EL-TUTU-22000	128	EL-FLTU-22000	164	EL-FLFF-22000	201
24	24	EL-TUTU-24000	152	EL-FLTU-24000	195	EL-FLFF-24000	240

- Weights stated are approximate.
- Standard material carbon steel, painted high temp black. Available in stainless and aluminized steel.
- Long radius elbows are available upon request.
- Dimensions and specifications may be subject to change without prior notification. Product images are for illustrative purposes only and may differ from the actual product.
- All flange bolt holes straddle the centerlines. All ANSI Flanges are 150# bolt pattern. Please see our flange catalog for details.
- Any flange can be fixed or floating. Other configurations such as tube, pipe, NPT, etc. and their combinations are available upon request. Please contact Nett Technologies for details.

45° Elbows

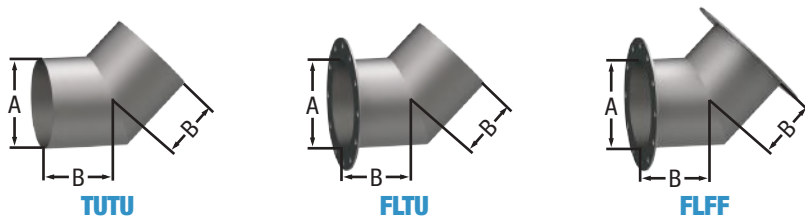
Smooth and Mitered elbows

45° SHORT RADIUS ELBOWS - SMOOTH



A/OD (in)	B (in)	C/CLR (in)	Not Flanged		Flanged One End		Flanged Both Ends	
			Part Number	Weight (lbs)	Part Number	Weight (lbs)	Part Number	Weight (lbs)
3	3	4	EB-TUTU-03000	1	EB-FLTU-03000	6	EB-FLFF-03000	10
3.5	3.5	4.5	EB-TUTU-03500	2	EB-FLTU-03500	8	EB-FLFF-03500	13
4	4	5	EB-TUTU-04000	2	EB-FLTU-04000	8	EB-FLFF-04000	13
5	5	6	EB-TUTU-05000	3	EB-FLTU-05000	10	EB-FLFF-05000	17
6	6	7	EB-TUTU-06000	5	EB-FLTU-06000	13	EB-FLFF-06000	21

45° SHORT RADIUS ELBOWS - MITERED



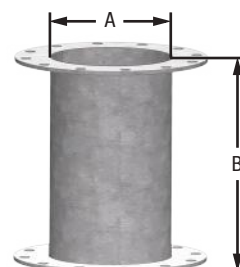
A/OD (in)	B (in)	Not Flanged		Flanged One End		Flanged Both Ends	
		Part Number	Weight (lbs)	Part Number	Weight (lbs)	Part Number	Weight (lbs)
8	8	EB-TUTU-08000	8	EB-FLTU-08000	20	EB-FLFF-08000	32
10	10	EB-TUTU-10000	12	EB-FLTU-10000	28	EB-FLFF-10000	44
12	12	EB-TUTU-12000	28	EB-FLTU-12000	50	EB-FLFF-12000	73
14	14	EB-TUTU-14000	71	EB-FLTU-14000	95	EB-FLFF-14000	120
16	16	EB-TUTU-16000	93	EB-FLTU-16000	122	EB-FLFF-16000	151
18	18	EB-TUTU-18000	117	EB-FLTU-18000	146	EB-FLFF-18000	175
20	20	EB-TUTU-20000	145	EB-FLTU-20000	179	EB-FLFF-20000	213
22	22	EB-TUTU-22000	128	EB-FLTU-22000	164	EB-FLFF-22000	201
24	24	EB-TUTU-24000	152	EB-FLTU-24000	195	EB-FLFF-24000	240

- Weights stated are approximate.
- Standard material carbon steel, painted high temp black. Available in stainless and aluminized steel.
- Long radius elbows are available upon request.
- Dimensions and specifications may be subject to change without prior notification. Product images are for illustrative purposes only and may differ from the actual product.
- All flange bolt holes straddle the centerlines. All ANSI Flanges are 150# bolt pattern. Please see our flange catalog for details.
- Any flange can be fixed or floating. Other configurations such as tube, pipe, NPT, etc. and their combinations are available upon request. Please contact Nett Technologies for details.

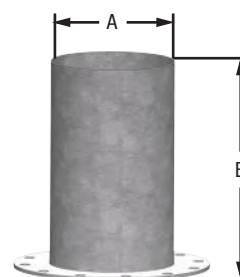
Outlet Extensions

Exhaust Stacks

Exhaust Stacks, ANSI to ANSI - ES-FLFF			
Part Number	A/OD (in)	B/OAL Length (in)	Weight (lbs)
ES-FLFF-04000	4	12	16
ES-FLFF-05000	5	16	20
ES-FLFF-06000	6	18	26
ES-FLFF-08000	8	18	34
ES-FLFF-10000	10	20	50
ES-FLFF-12000	12	24	80
ES-FLFF-14000	14	28	135
ES-FLFF-16000	16	32	172
ES-FLFF-18000	18	36	201
ES-FLFF-20000	20	40	215
ES-FLFF-22000	22	48	241
ES-FLFF-24000	24	48	271
ES-FLFF-26000	26	48	344
ES-FLFF-28000	28	48	380
ES-FLFF-30000	30	48	405



Exhaust Stacks, ANSI to Tube - ES-FLTU			
Part Number	A/OD (in)	B/OAL Length (in)	Weight (lbs)
ES-FLTU-04000	4	12	10
ES-FLTU-05000	5	16	13
ES-FLTU-06000	6	18	18
ES-FLTU-08000	8	18	18
ES-FLTU-10000	10	20	34
ES-FLTU-12000	12	24	57
ES-FLTU-14000	14	28	108
ES-FLTU-16000	16	32	141
ES-FLTU-18000	18	36	169
ES-FLTU-20000	20	40	177
ES-FLTU-22000	22	48	202
ES-FLTU-24000	24	48	220
ES-FLTU-26000	26	48	289
ES-FLTU-28000	28	48	320
ES-FLTU-30000	30	48	343

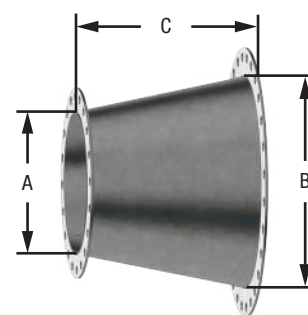


- Weights stated are approximate.
- Standard material carbon steel with high-temperature black paint. Available in stainless steel.
- All flange bolt holes straddle the centerlines. All ANSI Flanges are 150# bolt pattern. Please see our flange catalog for details. All ANSI Flanges may be replaced with standard Caterpillar, Cummins, or MTU engine flanges.
- Dimensions and specifications may be subject to change without prior notification. Product images are for illustrative purposes only and may differ from the actual product.
- Any flange can be fixed or floating. Other configurations such as tube, pipe, NPT, etc. and their combinations are available upon request. Please contact Nett Technologies for details.

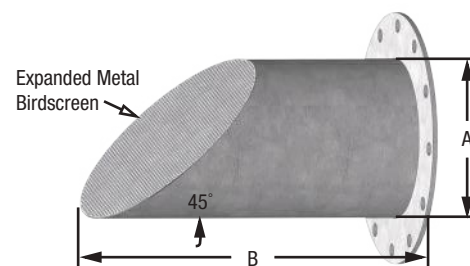
Cones and Extensions

Concentric Connectors and Exhaust Stacks

Exhaust Cones - EC-FLFF				
Part Number	A /OD (in)	B/OD (in)	C/OAL Length (in)	Weight (lbs)
EC-FLFF-04X06	4	6	12	20
EC-FLFF-04X08	4	8	12	24
EC-FLFF-06X08	6	8	12	27
EC-FLFF-06X10	6	10	12	31
EC-FLFF-08X10	8	10	12	35
EC-FLFF-08X12	8	12	12	43
EC-FLFF-10X12	10	12	14	48
EC-FLFF-10X14	10	14	14	52
EC-FLFF-12X14	12	14	14	59
EC-FLFF-12X16	12	16	14	65
EC-FLFF-14X16	14	16	16	70
EC-FLFF-14X18	14	18	16	71
EC-FLFF-16X18	16	18	16	77
EC-FLFF-16X20	16	20	16	84
EC-FLFF-18X20	18	20	18	87
EC-FLFF-18X22	18	22	18	91
EC-FLFF-20X22	20	22	18	97
EC-FLFF-20X24	20	24	18	105



Exhaust Stacks, 45° Mitered - ES-FLBS			
Part Number	A/OD (in)	B/OAL Length (in)	Weight (lbs)
ES-FLBS-04000	4	12	12
ES-FLBS-05000	5	16	13
ES-FLBS-06000	6	18	20
ES-FLBS-08000	8	18	26
ES-FLBS-10000	10	20	35
ES-FLBS-12000	12	24	50
ES-FLBS-14000	14	28	90
ES-FLBS-16000	16	32	116
ES-FLBS-18000	18	36	138
ES-FLBS-20000	20	40	153
ES-FLBS-22000	22	48	185
ES-FLBS-24000	24	48	220
ES-FLBS-26000	26	48	289
ES-FLBS-28000	28	48	320
ES-FLBS-30000	30	48	343

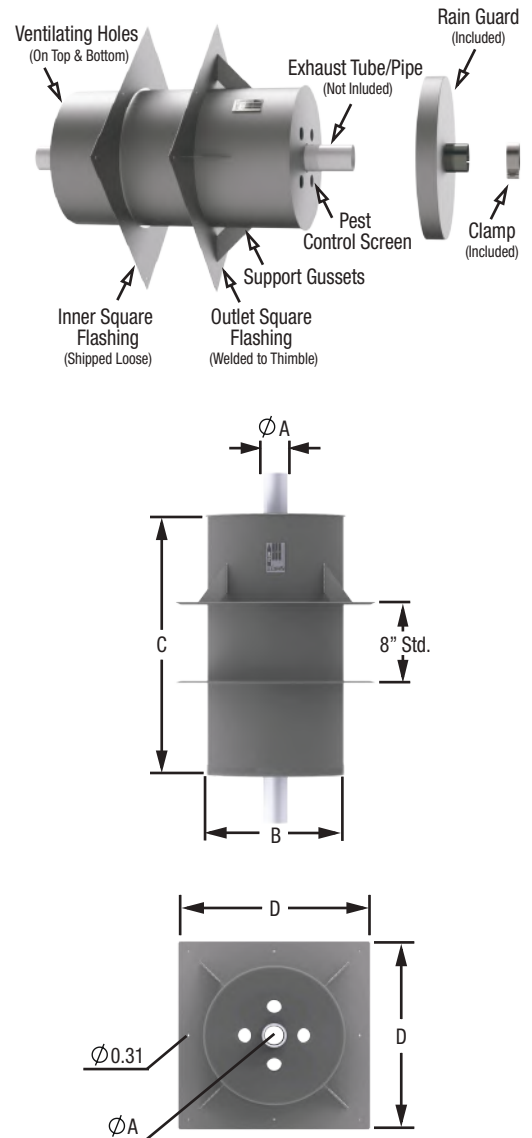


- Weights stated are approximate.
- Standard material carbon steel with high-temperature black paint. Available in stainless steel.
- All flange bolt holes straddle the centerlines. All ANSI Flanges are 150# bolt pattern. Please see our flange catalog for details. All ANSI Flanges may be replaced with standard Caterpillar, Cummins, or MTU engine flanges.
- Dimensions and specifications may be subject to change without prior notification. Product images are for illustrative purposes only and may differ from the actual product.
- Any flange can be fixed or floating. Other configurations such as tube, pipe, NPT, etc. and their combinations are available upon request. Please contact Nett Technologies for details.

Thimbles

Combustible Roof and Wall Thimbles

Combustible Thimbles						
Mild Steel Part Numbers	Stainless Steel Part Numbers	Pipe/Tube Size	A (Pipe/Tube OD)	B (Width)	C (Height)	D (Inner Square Flashing Size)
TH-MSCB-01000	TH-SSCB-01000	1" Tube	1	12	26	18
TH-MSCB-01315	TH-SSCB-01315	1" Pipe	1.315	12	26	18
TH-MSCB-01500	TH-SSCB-01500	1.5" Tube	1.5	14	26	20
TH-MSCB-02000	TH-SSCB-02000	2" Tube	2	14	26	20
TH-MSCB-02375	TH-SSCB-02375	2" Pipe	2.375	14	26	20
TH-MSCB-02500	TH-SSCB-02500	2.5" Tube	2.5	16	26	22
TH-MSCB-02875	TH-SSCB-02875	2.5" Pipe	2.875	16	26	22
TH-MSCB-03000	TH-SSCB-03000	3" Tube	3	16	26	22
TH-MSCB-03500	TH-SSCB-03500	3" Pipe	3.5	16	26	22
TH-MSCB-04000	TH-SSCB-04000	4" Tube	4	16	26	22
TH-MSCB-04500	TH-SSCB-04500	4" Pipe	4.5	16	26	22
TH-MSCB-05000	TH-SSCB-05000	5" Tube	5	18	26	24
TH-MSCB-05563	TH-SSCB-05563	5" Pipe	5.563	18	26	24
TH-MSCB-06000	TH-SSCB-06000	6" Tube	6	18	26	24
TH-MSCB-06625	TH-SSCB-06625	6" Pipe	6.625	18	26	24
TH-MSCB-08000	TH-SSCB-08000	8" Tube	8	20	26	26
TH-MSCB-08625	TH-SSCB-08625	8" Pipe	8.625	20	26	26
TH-MSCB-10000	TH-SSCB-10000	10" Tube	10	22	26	28
TH-MSCB-10750	TH-SSCB-10750	10" Pipe	10.75	22	26	28
TH-MSCB-12000	TH-SSCB-12000	12" Tube	12	24	26	30
TH-MSCB-12750	TH-SSCB-12750	12" Pipe	12.75	24	26	30
TH-MSCB-14000	TH-SSCB-14000	14" Tube	14	26	26	32
TH-MSCB-16000	TH-SSCB-16000	16" Tube	16	28	26	34
TH-MSCB-18000	TH-SSCB-18000	18" Tube	18	30	26	36

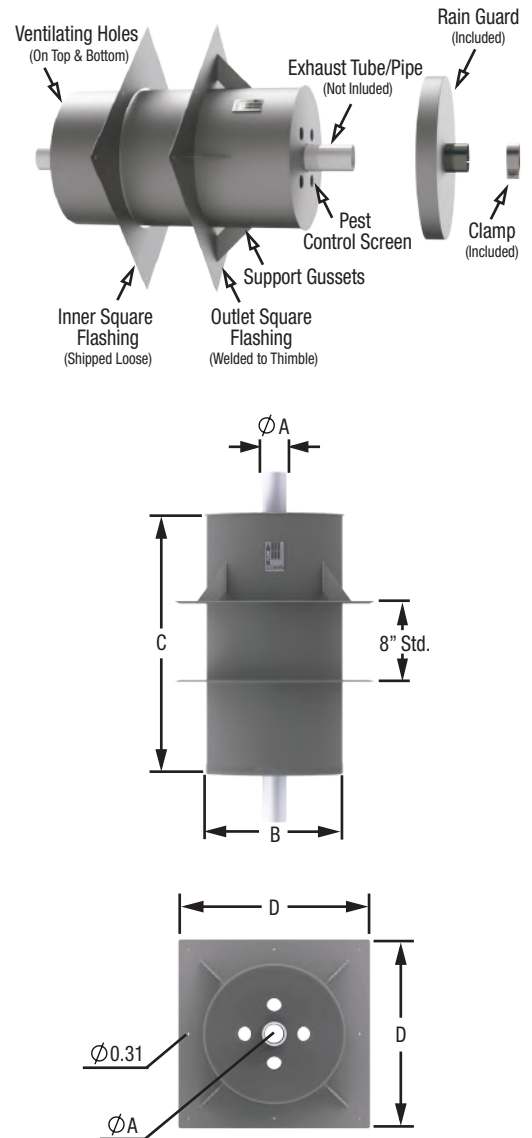


- Select Thimble size based on the material Sch 40 pipe or OD Tubing. All dimensions are in inches.
- When calculating height, thimble must have a 9" clearance on each side of the wall. To prevent warping, outer flashing is not continuously welded.
- Conforms to NFPA 37 and 110. The above thimbles have been sized for standard (8") thickness walls. Thimbles for other wall thicknesses are available upon request.
- Confirmation of roof pitch is required for all orders. Non-flat roof applications may incur additional charges.
- All thimbles are insulated. The thermal barrier used within the thimbles is composed of high density, type "E" fibers, fibrous glass heavy-duty insulation. Please apply high-temp silicone caulking where needed.
- Dimensions and specifications may be subject to change without prior notification. Product images are for illustrative purposes only and may differ from the actual product.
- Install per Nett's Installation Instructions.
- Custom applications are available upon request. Please contact Nett Technologies for details.

Thimbles

Non-Combustible Roof and Wall Thimbles

Non-Combustible Thimbles						
Mild Steel Part Numbers	Stainless Steel Part Numbers	Pipe/Tube Size	A (Pipe/Tube OD)	B (Width)	C (Height)	D (Inner Square Flashing Size)
TH-MSNC-01000	TH-SSNC-01000	1" Tube	1	8	26	14
TH-MSNC-01315	TH-SSNC-01315	1" Pipe	1.315	8	26	14
TH-MSNC-01500	TH-SSNC-01500	1.5" Tube	1.5	9	26	15
TH-MSNC-02000	TH-SSNC-02000	2" Tube	2	9	26	15
TH-MSNC-02375	TH-SSNC-02375	2" Pipe	2.375	9	26	15
TH-MSNC-02500	TH-SSNC-02500	2.5" Tube	2.5	9	26	15
TH-MSNC-02875	TH-SSNC-02875	2.5" Pipe	2.875	9	26	15
TH-MSNC-03000	TH-SSNC-03000	3" Tube	3	10	26	16
TH-MSNC-03500	TH-SSNC-03500	3" Pipe	3.5	10	26	16
TH-MSNC-04000	TH-SSNC-04000	4" Tube	4	12	26	18
TH-MSNC-04500	TH-SSNC-04500	4" Pipe	4.5	12	26	18
TH-MSNC-05000	TH-SSNC-05000	5" Tube	5	12	26	18
TH-MSNC-05563	TH-SSNC-05563	5" Pipe	5.563	12	26	18
TH-MSNC-06000	TH-SSNC-06000	6" Tube	6	14	26	20
TH-MSNC-06625	TH-SSNC-06625	6" Pipe	6.625	14	26	20
TH-MSNC-08000	TH-SSNC-08000	8" Tube	8	16	26	22
TH-MSNC-08625	TH-SSNC-08625	8" Pipe	8.625	16	26	22
TH-MSNC-10000	TH-SSNC-10000	10" Tube	10	18	26	24
TH-MSNC-10750	TH-SSNC-10750	10" Pipe	10.75	18	26	24
TH-MSNC-12000	TH-SSNC-12000	12" Tube	12	20	26	26
TH-MSNC-12750	TH-SSNC-12750	12" Pipe	12.75	20	26	26
TH-MSNC-14000	TH-SSNC-14000	14" Tube	14	22	26	26
TH-MSNC-16000	TH-SSNC-16000	16" Tube	16	24	26	28
TH-MSNC-18000	TH-SSNC-18000	18" Tube	18	26	26	32



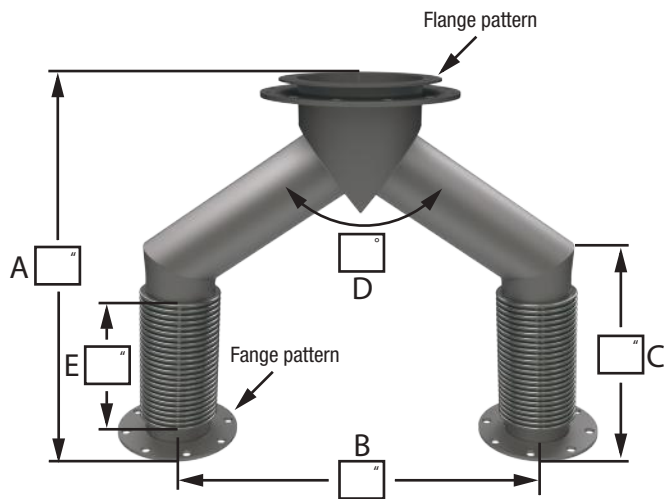
- Select Thimble size based on the material Sch 40 pipe or OD Tubing. All dimensions are in inches.
- When calculating height, thimble must have a 9" clearance on each side of the wall. To prevent warping, outer flashing is not continuously welded.
- The above thimbles have been sized for standard (8") thickness walls. Thimbles for other wall thicknesses are available upon request.
- Confirmation of roof pitch is required for all orders. Non-flat roof applications may incur additional charges.
- All thimbles are insulated. The thermal barrier used within the thimbles is composed of high density, type "E" fibers, fibrous glass heavy-duty insulation. Please apply high-temp silicone caulking where needed.
- Dimensions and specifications may be subject to change without prior notification. Product images are for illustrative purposes only and may differ from the actual product.
- Install per Nett's Installation Instructions.
- Custom applications are available upon request. Please contact Nett Technologies for details.

WYE Connectors

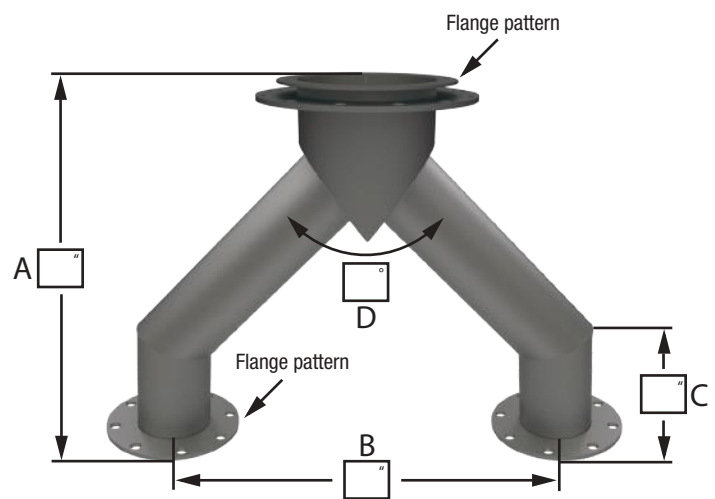
Technical Spec Sheet

Please specify the following dimensions when quoting/ordering your Wye-Connector:

WYE-CONNECTORS WITH FLEXES



WYE-CONNECTORS WITHOUT FLEXES



- Please specify the NPT port/s location if required.
- All fixed flanges should be connected to the floating flanges and vice versa. Please consider this when designing your Wye-Connector.
- All ANSI Flanges are 150# bolt pattern. Please see our flange catalog for details.
- All ANSI Flanges may be replaced with standard Caterpillar, Cummins, or MTU engine flanges.
- Carbon steel construction finished with high-temperature black paint (also available in stainless steel). All single-ply annular hoses (if applicable) are 321 Stainless Steel.
- Standard length of the single-ply annular hose is 12" on each side. Other sizes are available upon request. Please see our single-ply flex technical spec sheet for more details.
- Product images are for illustrative purposes only and may differ from the actual product.
- Other connections (NPT, slip-on, flared lip, etc.) and low back pressure custom designs are available upon request. Please contact Nett Technologies for details.

Rain Caps

Carbon Steel (Zink Plated) Rain Caps

Standard Carbon Steel - RCSD	
Part Number	ID/Collar (in)
RC-SD-01000	1
RC-SD-01315	1.315
RC-SD-01500	1.5
RC-SD-02000	2
RC-SD-02375	2.375
RC-SD-02500	2.5
RC-SD-02875	2.875
RC-SD-03000	3
RC-SD-03500	3.5
RC-SD-04000	4
RC-SD-04500	4.5
RC-SD-05000	5
RC-SD-05563	5.563
RC-SD-06000	6
RC-SD-06625	6.625

Heavy Duty Carbon Steel - RCHD	
Part Number	ID/Collar (in)
RC-HD-08000	8
RC-HD-08625	8.625
RC-HD-10000	10
RC-HD-10750	10.75
RC-HD-12000	12
RC-HD-12750	12.75
RC-HD-14000	14
RC-HD-16000	16
RC-HD-18000	18
RC-HD-20000	20
RC-HD-22000	22
RC-HD-24000	24
RC-HD-26000	26
RC-HD-28000	28
RC-HD-30000	30

Engine exhaust rain caps eliminate rain, snow, birds, animals, and other foreign objects from entering the exhaust system. Nett Technologies' high-quality engine exhaust rain caps are specially designed for durability, appearance and to help eliminate "cap slap" noise while in use.

- Recommended for both horizontal and vertical installation.
- Available in carbon steel (with high-temperature black paint) and stainless steel.
- Dimensions and specifications may be subject to change without prior notification.
- Product images are for illustrative purposes only and may differ from the actual product.
- Custom applications are available on request. Please contact Nett Technologies for details.



Rain Caps

Stainless Steel (SS) Rain Caps

Standard 304 Stainless Steel - RCSS	
Part Number	ID/Collar (in)
RC-SS-01000	1
RC-SS-01315	1.315
RC-SS-01500	1.5
RC-SS-02000	2
RC-SS-02375	2.375
RC-SS-02500	2.5
RC-SS-02875	2.875
RC-SS-03000	3
RC-SS-03500	3.5
RC-SS-04000	4
RC-SS-04500	4.5
RC-SS-05000	5
RC-SS-05563	5.563
RC-SS-06000	6
RC-SS-06625	6.625

Heavy Duty 304 Stainless Steel - RCHS	
Part Number	ID/Collar (in)
RC-HS-08000	8
RC-HS-08625	8.625
RC-HS-10000	10
RC-HS-10750	10.75
RC-HS-12000	12
RC-HS-12750	12.75
RC-HS-14000	14
RC-HS-16000	16
RC-HS-18000	18
RC-HS-20000	20
RC-HS-22000	22
RC-HS-24000	24
RC-HS-26000	26
RC-HS-28000	28
RC-HS-30000	30

Engine exhaust rain caps eliminate rain, snow, birds, animals, and other foreign objects from entering the exhaust system. Nett Technologies' high-quality engine exhaust rain caps are specially designed for durability, appearance and to help eliminate "cap slap" noise while in use.

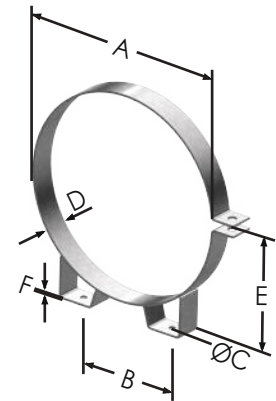
- Recommended for both horizontal and vertical installation.
- Available in carbon steel (with high-temperature black paint) and stainless steel.
- Dimensions and specifications may be subject to change without prior notification.
- Product images are for illustrative purposes only and may differ from the actual product.
- Custom applications are available on request. Please contact Nett Technologies for details.



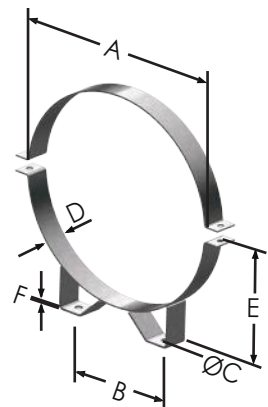
Mounting Bands

Round Mounting Bands (Brackets)

Mounting Band, One Piece Construction Carbon Steel (MB-OP)						
Part Number	A (in)	B (in)	C (in)	D (in)	E (in)	F (in)
MB-OP-04000	4	2	0.375	1	3.125	0.125
MB-OP-04500	4.5	2.25	0.375	1	3.375	0.125
MB-OP-05000	5	2.5	0.375	1	3.625	0.125
MB-OP-05500	5.5	2.75	0.375	1	3.875	0.125
MB-OP-06000	6	3	0.375	1	4.125	0.125
MB-OP-06500	6.5	3.25	0.38	1	4.375	0.125
MB-OP-07000	7	3.5	0.375	1	4.625	0.125
MB-OP-08000	8	4	0.5	1.5	5.125	0.125
MB-OP-08500	8.5	4.25	0.5	1.5	5.375	0.125
MB-OP-09000	9	4.5	0.5	1.5	5.625	0.125
MB-OP-10000	10	5	0.5	1.5	6.125	0.125
MB-OP-11000	11	5.5	0.5	1.5	6.625	0.125
MB-OP-12000	12	6	0.5	1.5	7.125	0.125
MB-OP-14000	14	7	0.5	1.5	8.125	0.125



Mounting Band, Two Piece Construction Carbon Steel (MB-TP)						
Part Number	A (in)	B (in)	C (in)	D (in)	E (in)	F (in)
MB-TP-16000	16	8	0.625	2	10	0.1875
MB-TP-18000	18	9	0.625	2	11	0.1875
MB-TP-20000	20	10	0.625	2	12	0.1875
MB-TP-22000	22	11	0.625	2	13	0.1875
MB-TP-24000	24	12	0.625	2	14	0.1875
MB-TP-26000	26	13	0.625	2	15	0.1875
MB-TP-28000	28	14	0.625	2	16	0.1875
MB-TP-30000	30	15	0.625	4	17	0.1875
MB-TP-32000	32	16	0.625	4	18	0.1875
MB-TP-34000	34	17	0.625	4	19	0.1875
MB-TP-36000	36	18	0.625	4	20	0.1875
MB-TP-38000	38	19	0.625	4	21	0.1875
MB-TP-40000	40	20	0.625	4	22	0.1875
MB-TP-42000	42	21	0.75	4	23	0.25
MB-TP-44000	44	22	0.75	4	24	0.25
MB-TP-46000	46	23	0.75	4	25	0.25
MB-TP-48000	48	24	0.75	4	26	0.25



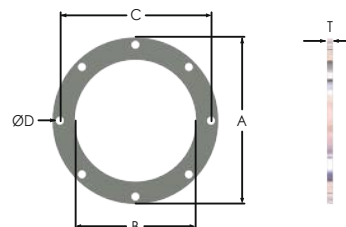
- Available in carbon steel (with high-temperature black paint) and stainless steel.
- Dimensions and specifications may be subject to change without prior notification.
- Product images are for illustrative purposes only and may differ from the actual product.
- Other designs and sizes are available upon request. Please contact Nett Technologies for details.

Flanges

ANSI 150# Pattern Flanges

Part Number	Pipe/Tube	A	B	C	D	Holes	T
		Flange OD (in)	Flange ID (in)	Flange B.H.C (in)	Flange Hole Dia. (in)	# of Flange Holes	Flange Thickness (in)
FL-TU-02000	Tube	6	2	4.75	0.75	4	0.375
FL-PP-02000	Pipe	6	2.38	4.75	0.75	4	0.375
FL-TU-02500	Tube	7	2.5	5.5	0.75	4	0.375
FL-PP-02500	Pipe	7	2.88	5.5	0.75	4	0.375
FL-TU-03000	Tube	7.5	3	6	0.75	4	0.375
FL-PP-03000	Pipe	7.5	3.5	6	0.75	4	0.375
FL-TU-03500	Tube	8.5	3.5	7	0.75	8	0.375
FL-PP-03500	Pipe	8.5	4	7	0.75	8	0.375
FL-TU-04000	Tube	9	4	7.5	0.75	8	0.375
FL-PP-04000	Pipe	9	4.5	7.5	0.75	8	0.375
FL-TU-04500	Tube	9	4.5	7.5	0.75	8	0.375
FL-TU-05000	Tube	10	5	8.5	0.88	8	0.375
FL-PP-05000	Pipe	10	5.56	8.5	0.88	8	0.375
FL-TU-06000	Tube	11	6	9.5	0.88	8	0.375
FL-PP-06000	Pipe	11	7	9.5	0.88	8	0.375
FL-TU-08000	Tube	13.5	8	11.75	0.88	8	0.375
FL-PP-08000	Pipe	13.5	8.63	11.75	0.88	8	0.375
FL-TU-10000	Tube	16	10	14.25	1	12	0.375
FL-PP-10000	Pipe	16	10.75	14.25	1	12	0.375
FL-TU-12000	Tube	19	12	17	1	12	0.375
FL-PP-12000	Pipe	19	12.75	17	1	12	0.375
FL-TU-14000	Tube	21	14.1	18.75	1.13	12	0.5
FL-TU-16000	Tube	23.5	16.1	21.25	1.13	16	0.5
FL-TU-18000	Tube	25	18.1	22.75	1.25	16	0.5
FL-TU-20000	Tube	27.5	20.1	25	1.25	20	0.5
FL-TU-22000	Tube	29.5	22.1	27.25	1.38	20	0.5
FL-TU-24000	Tube	32	24.1	29.5	1.38	20	0.5
FL-TU-26000	Tube	34.3	26.1	31.75	1.38	24	0.5
FL-TU-28000	Tube	36.5	28.1	34	1.38	28	0.5
FL-TU-30000	Tube	38.8	30.1	36	1.38	28	0.5

- Flanges are Carbon Steel. Stainless Steel available upon request.
- All flange bolt holes straddle the centerlines. All ANSI Flanges are 150# bolt pattern.
- Dimensions and specifications may be subject to change without prior notification.
- Product images are for illustrative purposes only and may differ from the actual product.
- Other flanges are available upon request. Please contact Nett Technologies for details.

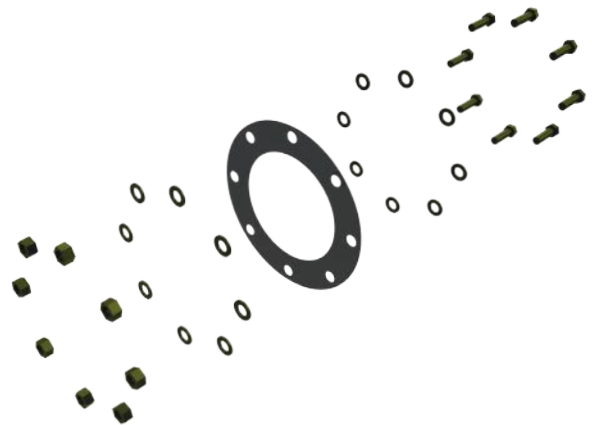


Hardware Kits

Nuts, Bolts, Washers and Gaskets Kits

Part Number	Size (in)	Bolt Size (in)	Bolt Length (in)	Bolts/Nuts per Set	Washers per Set	Gasket per Set
KT-GB-02000	2	5/8-11	2	4	8	1
KT-GB-03000	3	5/8-11	2	4	8	1
KT-GB-04000	4	5/8-11	2	8	16	1
KT-GB-05000	5	3/4-10	2.5	8	16	1
KT-GB-06000	6	3/4-10	2.5	8	16	1
KT-GB-08000	8	3/4-10	2.5	8	16	1
KT-GB-10000	10	7/8-9	2.5	12	24	1
KT-GB-12000	12	7/8-9	2.5	12	24	1
KT-GB-14000	14	1-8	3	12	24	1
KT-GB-16000	16	1-8	3	16	32	1
KT-GB-18000	18	1.125-7	3	16	32	1
KT-GB-20000	20	1.125-7	3	20	40	1
KT-GB-22000	22	1.25-7	3	20	40	1
KT-GB-24000	24	1.25-7	3	20	40	1

- 150# Flange details 316SS Foil Inserted Graphite Gasket.
- One segment gaskets for up to size 22", multi-segment for 22" and above.
- All gaskets are 1/16" thick, other thicknesses are available upon request.
- Grade 5 Zinc plated nuts/bolts. Available in Stainless Steel.
- Gaskets rated up to 1800°F for continuous use, 2300°F maximum temperature.
- Common kits are always available in stock and can be shipped within the same day.
- Dimensions and specifications may be subject to change without prior notification.
- Product images are for illustrative purposes only and may differ from the actual product.
- Other sizes and custom applications are available upon request. Please contact Nett Technologies for details.

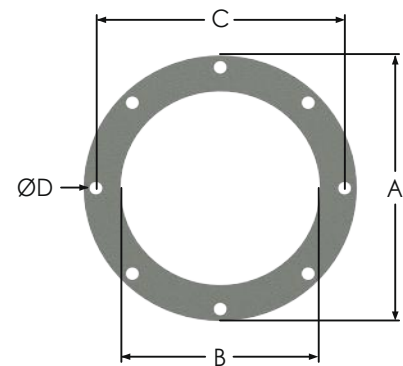


Gaskets

ANSI Pattern Graphite Gaskets

Part Number	Size (in)	A	B	C	D	Holes
		Gasket OD (in)	Gasket ID (in)	Gasket B.H.C (in)	Gasket Hole Dia. (in)	# of Gasket Holes
GS-GR-02000	2	6	2.375	4.75	0.75	4
GS-GR-03000	3	7.5	3.5	6	0.75	4
GS-GR-04000	4	9	4.5	7.5	0.75	8
GS-GR-05000	5	10	5.5	8.5	0.875	8
GS-GR-06000	6	11	6.5	9.5	0.875	8
GS-GR-08000	8	13.5	8.5	11.75	0.875	8
GS-GR-10000	10	16	10.5	14.25	1	12
GS-GR-12000	12	19	12.5	17	1	12
GS-GR-14000	14	21	14.5	18.75	1.125	12
GS-GR-16000	16	23.5	16.5	21.25	1.125	16
GS-GR-18000	18	25	18.5	22.75	1.25	16
GS-GR-20000	20	27.5	20.5	25	1.25	20
GS-GR-22000	22	29.5	22.5	27.25	1.375	20
GS-GR-24000	24	32	24.5	29.5	1.375	20

- 150# Flange details 316SS Foil Inserted Graphite Gasket.
- One segment for up to size 22", multi-segment for 22" and above.
- All gaskets are 1/16" thick, other thicknesses are available upon request.
- Gaskets are sold separately or as a part of Hardware Kit. Hardware Kit includes bolts, nuts, and washers. Please see the catalog for details.
- Common size gaskets are always available in stock and can be shipped within the same day.
- Dimensions and specifications may be subject to change without prior notification.
- Product images are for illustrative purposes only and may differ from the actual product.
- Custom gaskets are available upon request. Please contact Nett Technologies for details.



Your One-Stop Solution for all generator silencer accessories needs!

NETT[®] TECHNOLOGIES INC.



6154 Kestrel Road
Mississauga, ON
L5T 1Z2, Canada



Toll-Free: (800) 361-6388
Tel: (905) 672-5453
Email: sales@nettinc.com